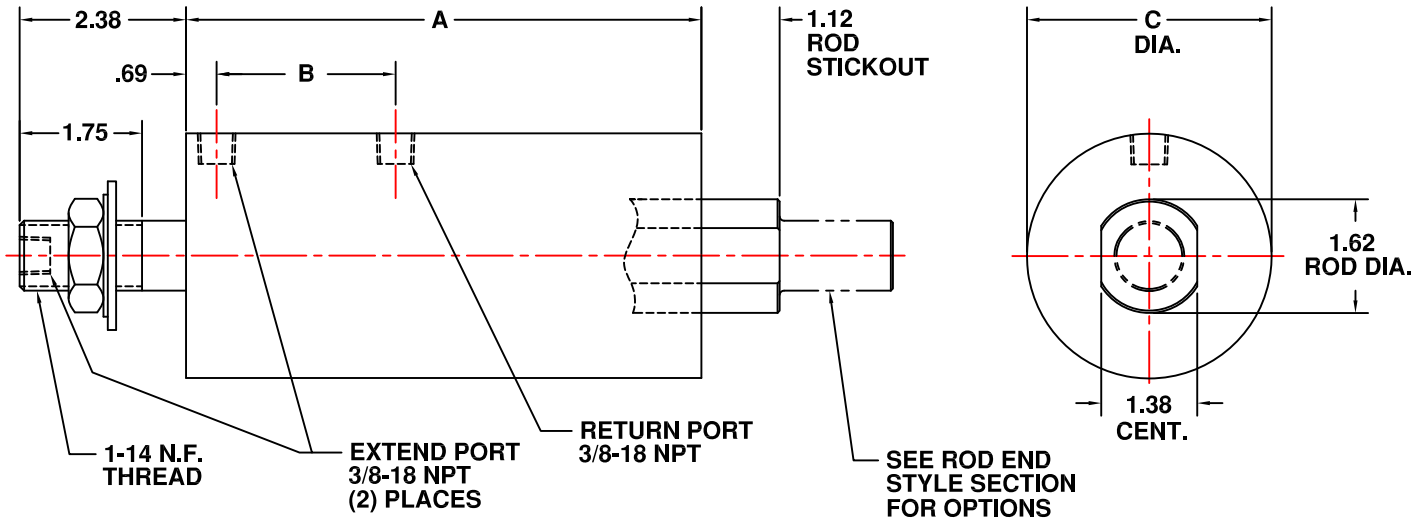


RWR Products

Resistance Welding Replacement Products
Ph: 248-546-5686 Fx: 248-546-1667

TRIPLE PISTON CYLINDER "A" STYLE

BORE RANGE = 3.25 TO 4.00 DIA.



BORE	SPECIFICATIONS				PISTON AREA		EXTEND FORCE @ 95% EFFICIENCY	
	MODEL NO.	STROKE	A	B	C	EXTEND		RETURN
3.25 DIA. TRIPLE PISTON	M001-3-325-4-*	1.00	9.00	2.88	3.75	23.20 SQ. IN.	7.51 SQ. IN.	1322 LBS @ 60 PSI
	M001-3-325-6-*	1.50	10.50	3.38				
	M001-3-325-8-*	2.00	12.00	3.88				
	M001-3-325-12-*	3.00	15.00	4.88				
	M001-3-325-16-*	4.00	18.00	5.88				
	M001-3-325-20-*	5.00	21.00	6.88				
3.50 DIA. TRIPLE PISTON	M001-3-350-4-*	1.00	9.00	2.88	4.00	27.10 SQ. IN.	8.84 SQ. IN.	1545 LBS @ 60 PSI
	M001-3-350-6-*	1.50	10.50	3.38				
	M001-3-350-8-*	2.00	12.00	3.88				
	M001-3-350-12-*	3.00	15.00	4.88				
	M001-3-350-16-*	4.00	18.00	5.88				
	M001-3-350-20-*	5.00	21.00	6.88				
3.75 DIA. TRIPLE PISTON	M001-3-375-4-*	1.00	9.00	2.88	4.25	31.40 SQ. IN.	10.25 SQ. IN.	1790 LBS @ 60 PSI
	M001-3-375-6-*	1.50	10.50	3.38				
	M001-3-375-8-*	2.00	12.00	3.88				
	M001-3-375-12-*	3.00	15.00	4.88				
	M001-3-375-16-*	4.00	18.00	5.88				
	M001-3-375-20-*	5.00	21.00	6.88				
4.00 DIA. TRIPLE PISTON	M001-3-400-4-*	1.00	9.00	2.88	4.50	36.00 SQ. IN.	11.75 SQ. IN.	2052 LBS @ 60 PSI
	M001-3-400-6-*	1.50	10.50	3.38				
	M001-3-400-8-*	2.00	12.00	3.88				
	M001-3-400-12-*	3.00	15.00	4.88				
	M001-3-400-16-*	4.00	18.00	5.88				
	M001-3-400-20-*	5.00	21.00	6.88				
	M001-3-400-24-*	6.00	24.00	7.88				

EXAMPLE CODE	
* ROD END STYLE	M001-3-325-12-R02
STROKE (1/4" INC.)	
BORE	
# OF PISTONS	
MOUNT STYLE	

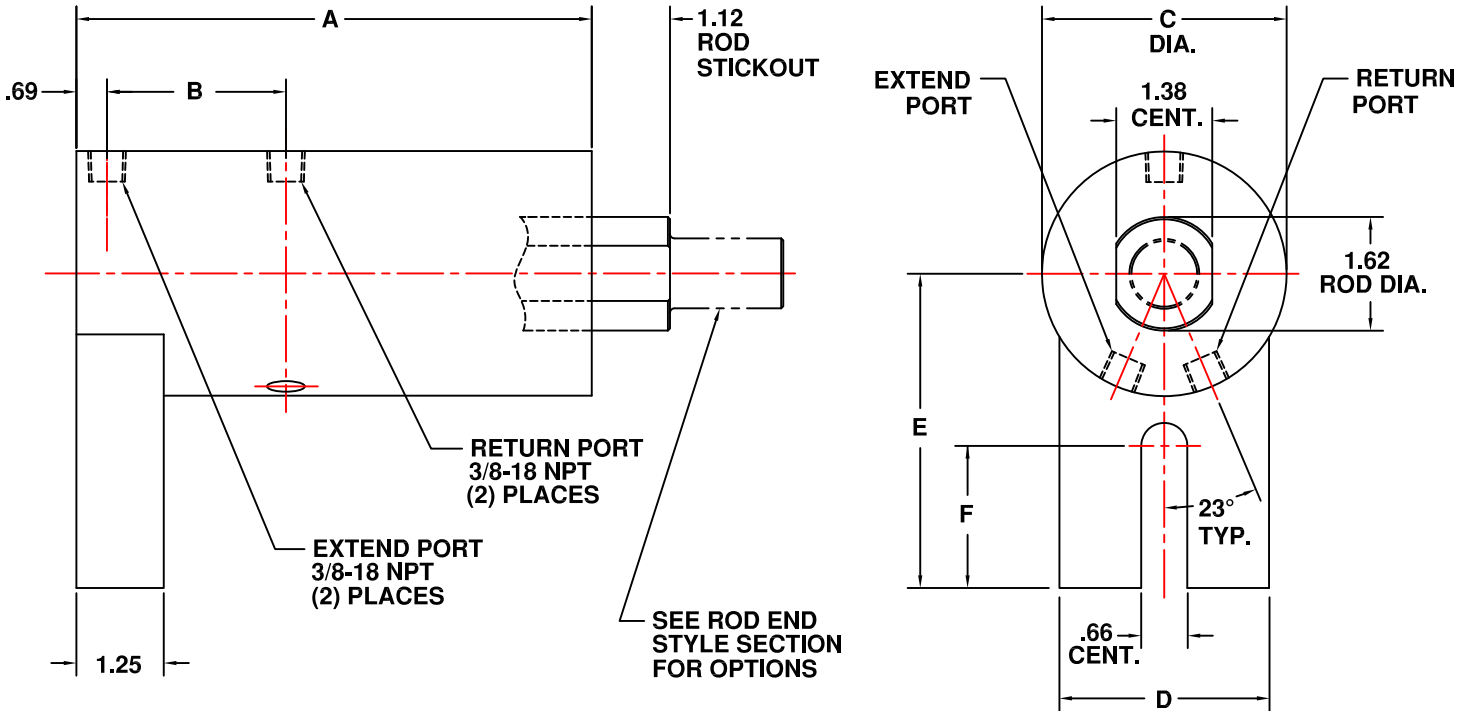
NOTE: STROKE LENGTHS SHOWN ABOVE ARE MOST COMMON, HOWEVER
OTHER STROKE LENGTHS ARE AVAILABLE IN 1/2" INCREMENTS

RWR Products

Resistance Welding Replacement Products
Ph: 248-546-5686 Fx: 248-546-1667

TRIPLE PISTON CYLINDER "C" STYLE

BORE RANGE = 3.25 TO 4.00 DIA.



SPECIFICATIONS									PISTON AREA		EXTEND FORCE @ 95% EFFICENCY
BORE	MODEL NO.	STROKE	A	B	C	D	E	F	EXTEND	RETURN	
3.25 DIA. TRIPLE PISTON	M002-3-325-4-*	1.00	9.00	2.88	3.75	3.25	4.50	2.12	23.20 SQ. IN.	7.51 SQ. IN.	1322 LBS @ 60 PSI
	M002-3-325-6-*	1.50	10.50	3.38							
	M002-3-325-8-*	2.00	12.00	3.88							
	M002-3-325-12-*	3.00	15.00	4.88							
	M002-3-325-16-*	4.00	18.00	5.88							
	M002-3-325-20-*	5.00	21.00	6.88							
3.50 DIA. TRIPLE PISTON	M002-3-350-4-*	1.00	9.00	2.88	4.00	3.50	4.50	2.00	27.10 SQ. IN.	8.84 SQ. IN.	1545 LBS @ 60 PSI
	M002-3-350-6-*	1.50	10.50	3.38							
	M002-3-350-8-*	2.00	12.00	3.88							
	M002-3-350-12-*	3.00	15.00	4.88							
	M002-3-350-16-*	4.00	18.00	5.88							
	M002-3-350-20-*	5.00	21.00	6.88							
3.75 DIA. TRIPLE PISTON	M002-3-375-4-*	1.00	9.00	2.88	4.25	3.75	5.00	2.25	31.40 SQ. IN.	10.25 SQ. IN.	1790 LBS @ 60 PSI
	M002-3-375-6-*	1.50	10.50	3.38							
	M002-3-375-8-*	2.00	12.00	3.88							
	M002-3-375-12-*	3.00	15.00	4.88							
	M002-3-375-16-*	4.00	18.00	5.88							
	M002-3-375-20-*	5.00	21.00	6.88							
4.00 DIA. TRIPLE PISTON	M002-3-400-4-*	1.00	9.00	2.88	4.50	4.00	5.00	2.25	36.00 SQ. IN.	11.75 SQ. IN.	2052 LBS @ 60 PSI
	M002-3-400-6-*	1.50	10.50	3.38							
	M002-3-400-8-*	2.00	12.00	3.88							
	M002-3-400-12-*	3.00	15.00	4.88							
	M002-3-400-16-*	4.00	18.00	5.88							
	M002-3-400-20-*	5.00	21.00	6.88							
	M002-3-400-24-*	6.00	24.00	7.88							

EXAMPLE CODE	
* ROD END STYLE	M002-3-325-12-R02
STROKE (1/4" INC.)	
BORE	
# OF PISTONS	
MOUNT STYLE	

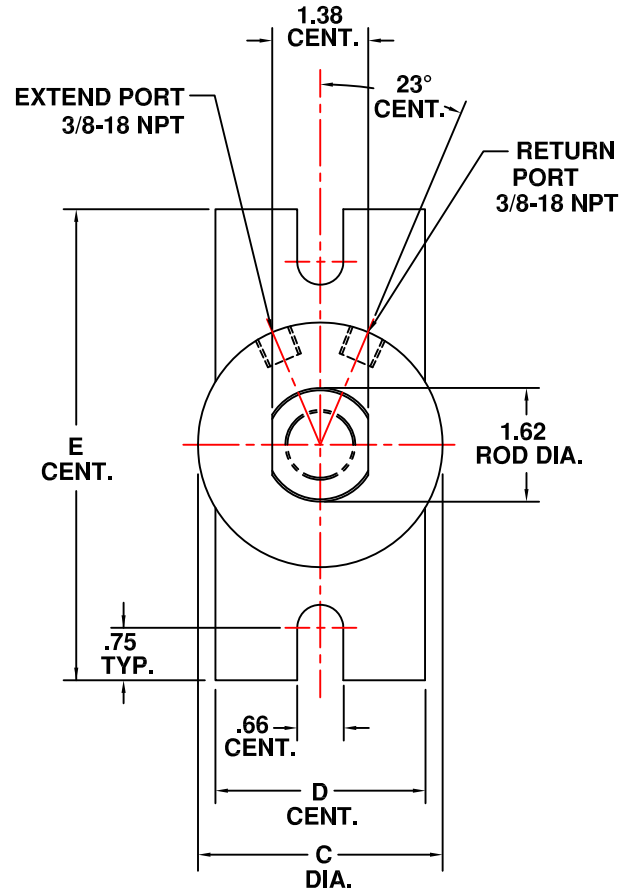
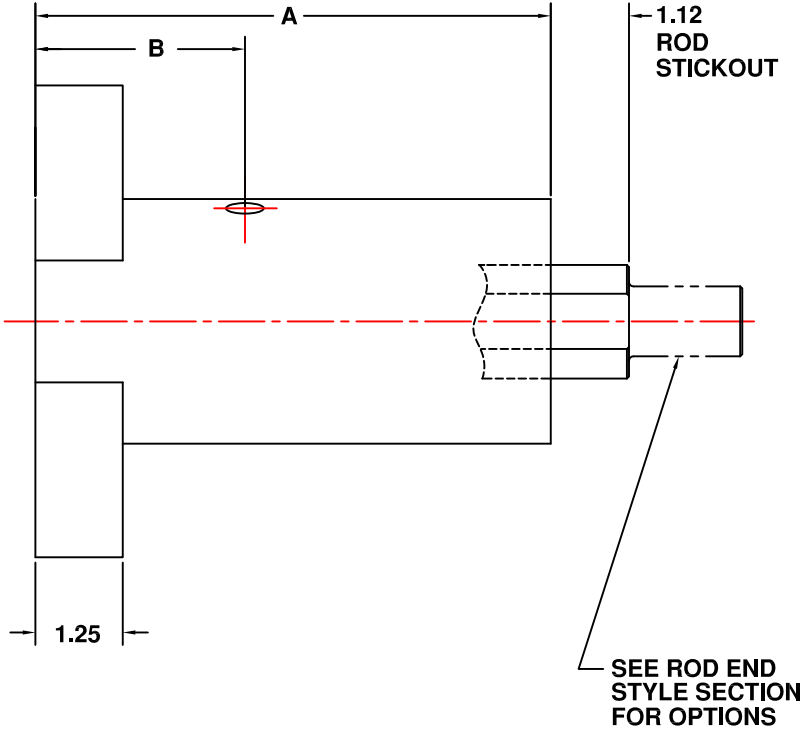
NOTE: STROKE LENGTHS SHOWN ABOVE ARE MOST COMMON, HOWEVER
OTHER STROKE LENGTHS ARE AVAILABLE IN 1/2" INCREMENTS

RWR Products

Resistance Welding Replacement Products
Ph: 248-546-5686 Fx: 248-546-1667

TRIPLE PISTON CYLINDER "F" STYLE

BORE RANGE = 3.25 TO 4.00 DIA.



SPECIFICATIONS							PISTON AREA		EXTEND FORCE	
BORE	MODEL NO.	STROKE	A	B	C	D	E	EXTEND	RETURN	@ 95% EFFICIENCY
3.25 DIA. TRIPLE PISTON	M003-3-325-4-*	1.00	9.00	3.56	3.75	3.25	6.75	23.20 SQ. IN.	7.51 SQ. IN.	1322 LBS @ 60 PSI
	M003-3-325-6-*	1.50	10.50	4.06						
	M003-3-325-8-*	2.00	12.00	4.56						
	M003-3-325-12-*	3.00	15.00	5.56						
	M003-3-325-16-*	4.00	18.00	6.56						
	M003-3-325-20-*	5.00	21.00	7.56						
3.50 DIA. TRIPLE PISTON	M003-3-350-4-*	1.00	9.00	3.56	4.00	3.50	6.75	27.10 SQ. IN.	8.84 SQ. IN.	1545 LBS @ 60 PSI
	M003-3-350-6-*	1.50	10.50	4.06						
	M003-3-350-8-*	2.00	12.00	4.56						
	M003-3-350-12-*	3.00	15.00	5.56						
	M003-3-350-16-*	4.00	18.00	6.56						
	M003-3-350-20-*	5.00	21.00	7.56						
3.75 DIA. TRIPLE PISTON	M003-3-375-4-*	1.00	9.00	3.56	4.25	3.75	7.25	31.40 SQ. IN.	10.25 SQ. IN.	1790 LBS @ 60 PSI
	M003-3-375-6-*	1.50	10.50	4.06						
	M003-3-375-8-*	2.00	12.00	4.56						
	M003-3-375-12-*	3.00	15.00	5.56						
	M003-3-375-16-*	4.00	18.00	6.56						
	M003-3-375-20-*	5.00	21.00	7.56						
4.00 DIA. TRIPLE PISTON	M003-3-400-4-*	1.00	9.00	3.56	4.50	4.00	7.25	36.00 SQ. IN.	11.75 SQ. IN.	2052 LBS @ 60 PSI
	M003-3-400-6-*	1.50	10.50	4.06						
	M003-3-400-8-*	2.00	12.00	4.56						
	M003-3-400-12-*	3.00	15.00	5.56						
	M003-3-400-16-*	4.00	18.00	6.56						
	M003-3-400-20-*	5.00	21.00	7.56						
	M003-3-400-24-*	6.00	24.00	8.56						

EXAMPLE CODE	
* ROD END STYLE	M003-3-325-12-R02
STROKE (1/4" INC.)	
BORE	
# OF PISTONS	
MOUNT STYLE	

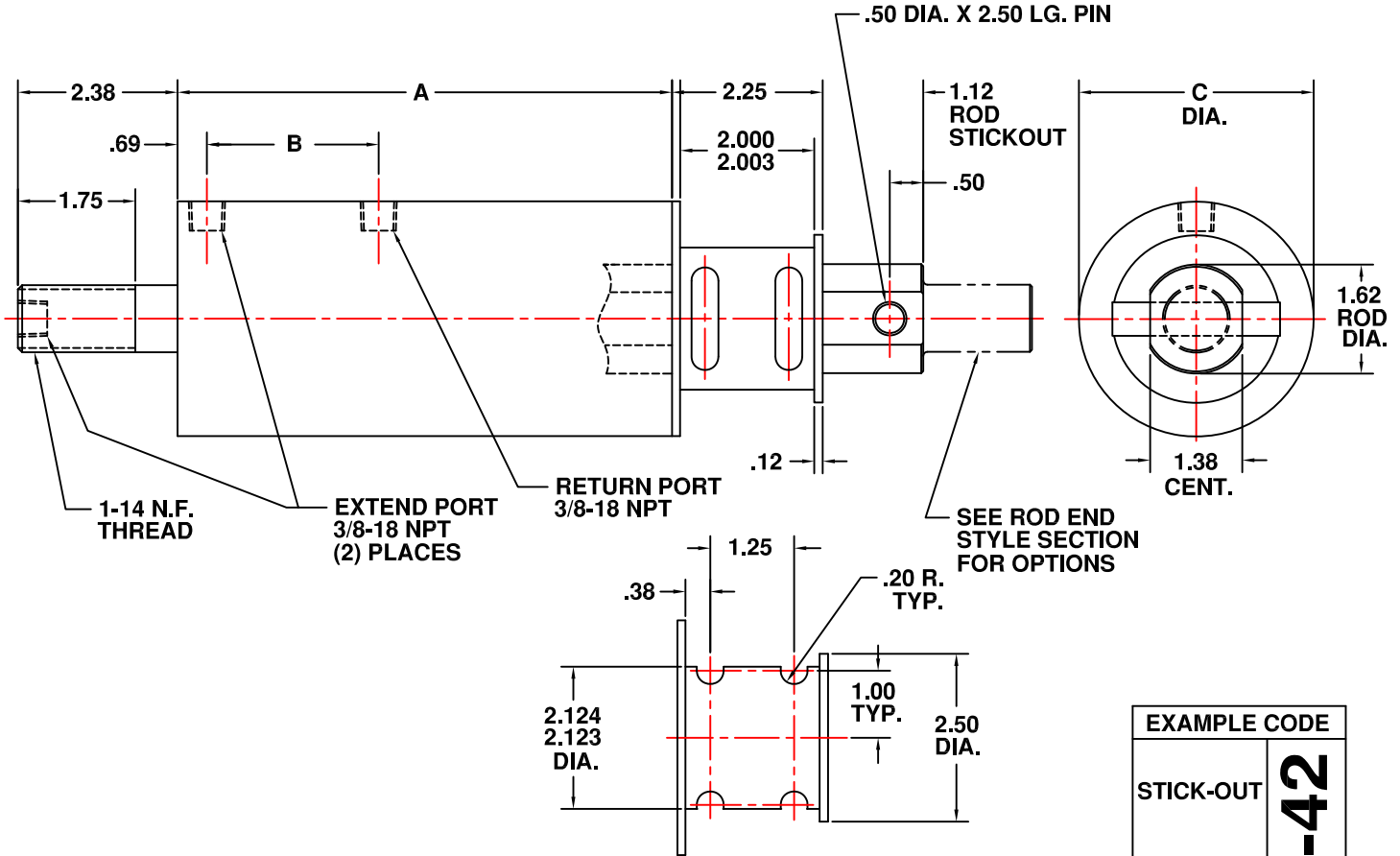
NOTE: STROKE LENGTHS SHOWN ABOVE ARE MOST COMMON, HOWEVER
OTHER STROKE LENGTHS ARE AVAILABLE IN 1/2" INCREMENTS

RWR Products

Resistance Welding Replacement Products
Ph: 248-546-5686 Fx: 248-546-1667

TRIPLE PISTON CYLINDER "EA" STYLE

BORE RANGE = 3.25 TO 4.00 DIA.



SPECIFICATIONS					PISTON AREA		EXTEND FORCE @ 95% EFFICIENCY	
BORE	MODEL NO.	STROKE	A	B	C	EXTEND		RETURN
3.25 DIA. TRIPLE PISTON	M004-3-325-4-*-42	1.00	9.00	2.88	3.75	23.20 SQ. IN.	7.51 SQ. IN.	1322 LBS @ 60 PSI
	M004-3-325-6-*-42	1.50	10.50	3.38				
	M004-3-325-8-*-42	2.00	12.00	3.88				
	M004-3-325-12-*-42	3.00	15.00	4.88				
	M004-3-325-16-*-42	4.00	18.00	5.88				
	M004-3-325-20-*-42	5.00	21.00	6.88				
3.50 DIA. TRIPLE PISTON	M004-3-350-4-*-42	1.00	9.00	2.88	4.00	27.10 SQ. IN.	8.84 SQ. IN.	1545 LBS @ 60 PSI
	M004-3-350-6-*-42	1.50	10.50	3.38				
	M004-3-350-8-*-42	2.00	12.00	3.88				
	M004-3-350-12-*-42	3.00	15.00	4.88				
	M004-3-350-16-*-42	4.00	18.00	5.88				
	M004-3-350-20-*-42	5.00	21.00	6.88				
3.75 DIA. TRIPLE PISTON	M004-3-375-4-*-42	1.00	9.00	2.88	4.25	31.40 SQ. IN.	10.25 SQ. IN.	1790 LBS @ 60 PSI
	M004-3-375-6-*-42	1.50	10.50	3.38				
	M004-3-375-8-*-42	2.00	12.00	3.88				
	M004-3-375-12-*-42	3.00	15.00	4.88				
	M004-3-375-16-*-42	4.00	18.00	5.88				
	M004-3-375-20-*-42	5.00	21.00	6.88				
4.00 DIA. TRIPLE PISTON	M004-3-400-4-*-42	1.00	9.00	2.88	4.50	36.00 SQ. IN.	11.75 SQ. IN.	2052 LBS @ 60 PSI
	M004-3-400-6-*-42	1.50	10.50	3.38				
	M004-3-400-8-*-42	2.00	12.00	3.88				
	M004-3-400-12-*-42	3.00	15.00	4.88				
	M004-3-400-16-*-42	4.00	18.00	5.88				
	M004-3-400-20-*-42	5.00	21.00	6.88				
	M004-3-400-24-*-42	6.00	24.00	7.88				

EXAMPLE CODE	
STICK-OUT	M004-3-325-12-R02-42
* ROD END STYLE	
STROKE (1/4" INC.)	
BORE	
# OF PISTONS	
MOUNT STYLE	

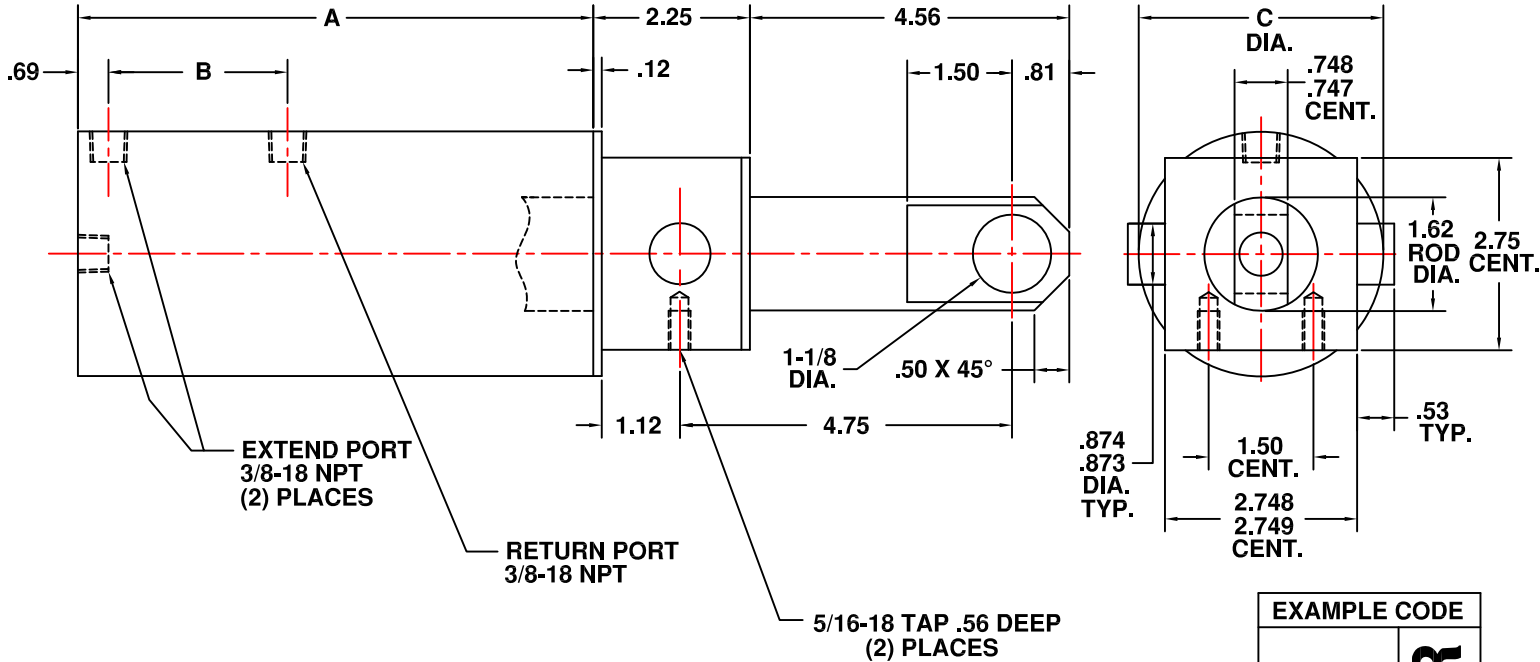
NOTE: STROKE LENGTHS SHOWN ABOVE ARE MOST COMMON, HOWEVER
OTHER STROKE LENGTHS ARE AVAILABLE IN 1/2" INCREMENTS

RWR Products

Resistance Welding Replacement Products
Ph: 248-546-5686 Fx: 248-546-1667

TRIPLE PISTON CYLINDER "T1" STYLE

BORE RANGE = 3.25 TO 4.00 DIA.



SPECIFICATIONS						PISTON AREA		EXTEND FORCE @ 95% EFFICENCY
BORE	MODEL NO.	STROKE	A	B	C	EXTEND	RETURN	
3.25 DIA. TRIPLE PISTON	M009-3-325-4-R12-78-RR	1.00	9.00	2.88	3.75	23.20 SQ. IN.	7.51 SQ. IN.	1322 LBS @ 60 PSI
	M009-3-325-6-R12-78-RR	1.50	10.50	3.38				
	M009-3-325-8-R12-78-RR	2.00	12.00	3.88				
	M009-3-325-12-R12-78-RR	3.00	15.00	4.88				
	M009-3-325-16-R12-78-RR	4.00	18.00	5.88				
	M009-3-325-20-R12-78-RR	5.00	21.00	6.88				
3.50 DIA. TRIPLE PISTON	M009-3-350-4-R12-78-RR	1.00	9.00	2.88	4.00	27.10 SQ. IN.	8.84 SQ. IN.	1545 LBS @ 60 PSI
	M009-3-350-6-R12-78-RR	1.50	10.50	3.38				
	M009-3-350-8-R12-78-RR	2.00	12.00	3.88				
	M009-3-350-12-R12-78-RR	3.00	15.00	4.88				
	M009-3-350-16-R12-78-RR	4.00	18.00	5.88				
	M009-3-350-20-R12-78-RR	5.00	21.00	6.88				
3.75 DIA. TRIPLE PISTON	M009-3-375-4-R12-78-RR	1.00	9.00	2.88	4.25	31.40 SQ. IN.	10.25 SQ. IN.	1790 LBS @ 60 PSI
	M009-3-375-6-R12-78-RR	1.50	10.50	3.38				
	M009-3-375-8-R12-78-RR	2.00	12.00	3.88				
	M009-3-375-12-R12-78-RR	3.00	15.00	4.88				
	M009-3-375-16-R12-78-RR	4.00	18.00	5.88				
	M009-3-375-20-R12-78-RR	5.00	21.00	6.88				
4.00 DIA. TRIPLE PISTON	M009-3-400-4-R12-78-RR	1.00	9.00	2.88	4.50	36.00 SQ. IN.	11.75 SQ. IN.	2052 LBS @ 60 PSI
	M009-3-400-6-R12-78-RR	1.50	10.50	3.38				
	M009-3-400-8-R12-78-RR	2.00	12.00	3.88				
	M009-3-400-12-R12-78-RR	3.00	15.00	4.88				
	M009-3-400-16-R12-78-RR	4.00	18.00	5.88				
	M009-3-400-20-R12-78-RR	5.00	21.00	6.88				
M009-3-400-24-R12-78-RR	6.00	24.00	7.88					

EXAMPLE CODE	
ROUND ROD	M009-3-325-12-R12-78-RR
STICK-OUT	
* ROD END STYLE	
STROKE (1/4" INC.)	
BORE	
# OF PISTONS	
MOUNT STYLE	

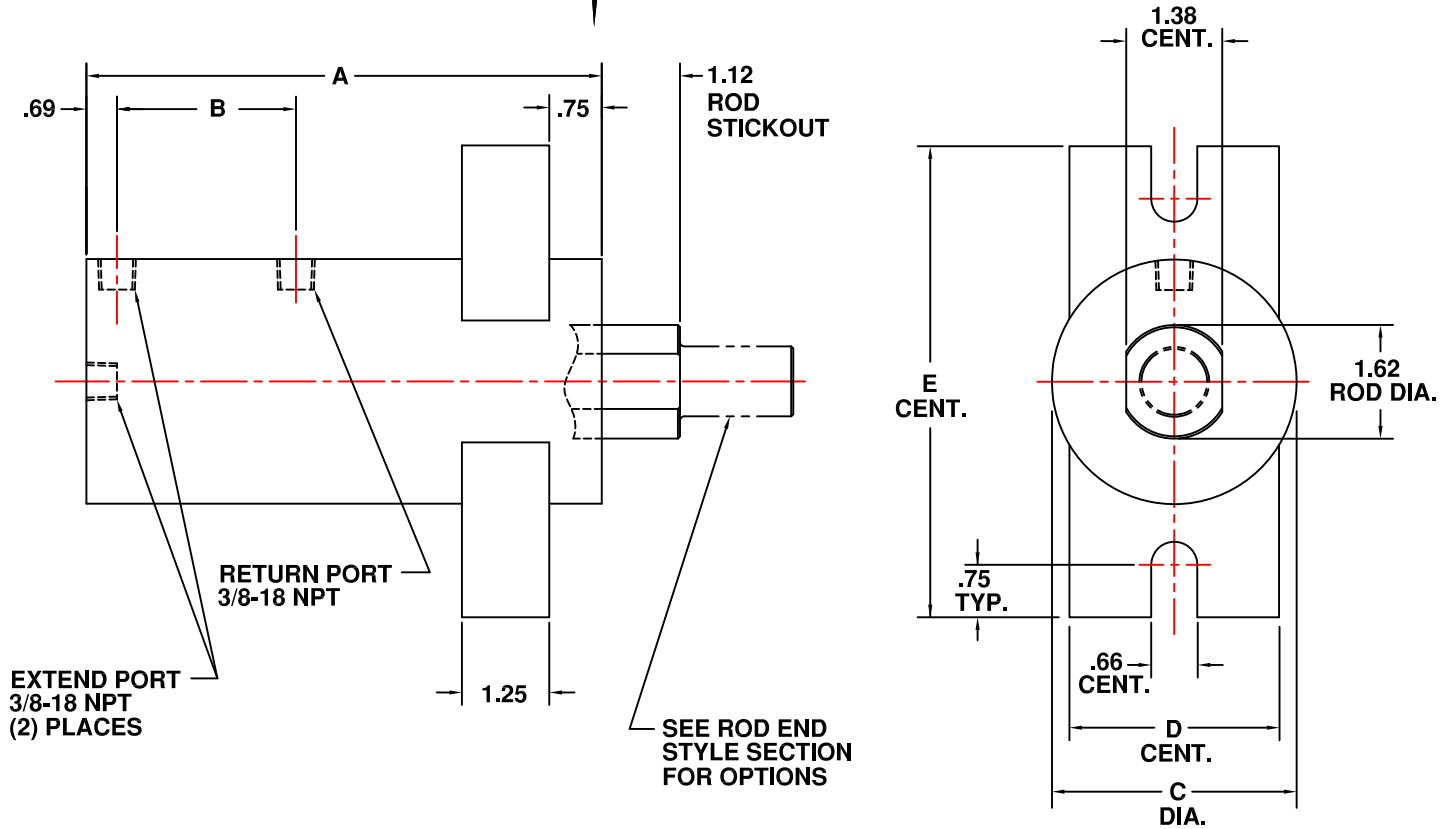
NOTE: STROKE LENGTHS SHOWN ABOVE ARE MOST COMMON, HOWEVER
OTHER STROKE LENGTHS ARE AVAILABLE IN 1/2" INCREMENTS

RWR Products

Resistance Welding Replacement Products
Ph: 248-546-5686 Fx: 248-546-1667

TRIPLE PISTON CYLINDER "J 3/4" STYLE

BORE RANGE = 3.25 TO 4.00 DIA.



SPECIFICATIONS							PISTON AREA		EXTEND FORCE @ 95% EFFICENCY	
BORE	MODEL NO.	STROKE	A	B	C	D	E	EXTEND		RETURN
3.25 DIA. TRIPLE PISTON	M010-3-325-4-*	1.00	9.00	2.88	3.75	3.25	6.75	23.20 SQ. IN.	7.51 SQ. IN.	1322 LBS @ 60 PSI
	M010-3-325-6-*	1.50	10.50	3.38						
	M010-3-325-8-*	2.00	12.00	3.88						
	M010-3-325-12-*	3.00	15.00	4.88						
	M010-3-325-16-*	4.00	18.00	5.88						
	M010-3-325-20-*	5.00	21.00	6.88						
3.50 DIA. TRIPLE PISTON	M010-3-350-4-*	1.00	9.00	2.88	4.00	3.50	6.75	27.10 SQ. IN.	8.84 SQ. IN.	1545 LBS @ 60 PSI
	M010-3-350-6-*	1.50	10.50	3.38						
	M010-3-350-8-*	2.00	12.00	3.88						
	M010-3-350-12-*	3.00	15.00	4.88						
	M010-3-350-16-*	4.00	18.00	5.88						
	M010-3-350-20-*	5.00	21.00	6.88						
3.75 DIA. TRIPLE PISTON	M010-3-375-4-*	1.00	9.00	2.88	4.25	3.75	7.25	31.40 SQ. IN.	10.25 SQ. IN.	1790 LBS @ 60 PSI
	M010-3-375-6-*	1.50	10.50	3.38						
	M010-3-375-8-*	2.00	12.00	3.88						
	M010-3-375-12-*	3.00	15.00	4.88						
	M010-3-375-16-*	4.00	18.00	5.88						
	M010-3-375-20-*	5.00	21.00	6.88						
4.00 DIA. TRIPLE PISTON	M010-3-400-4-*	1.00	9.00	2.88	4.50	4.00	7.25	36.00 SQ. IN.	11.75 SQ. IN.	2052 LBS @ 60 PSI
	M010-3-400-6-*	1.50	10.50	3.38						
	M010-3-400-8-*	2.00	12.00	3.88						
	M010-3-400-12-*	3.00	15.00	4.88						
	M010-3-400-16-*	4.00	18.00	5.88						
	M010-3-400-20-*	5.00	21.00	6.88						
	M010-3-400-24-*	6.00	24.00	7.88						

EXAMPLE CODE	
* ROD END STYLE	M010-3-325-12-R02
STROKE (1/4" INC.)	
BORE	
# OF PISTONS	
MOUNT STYLE	

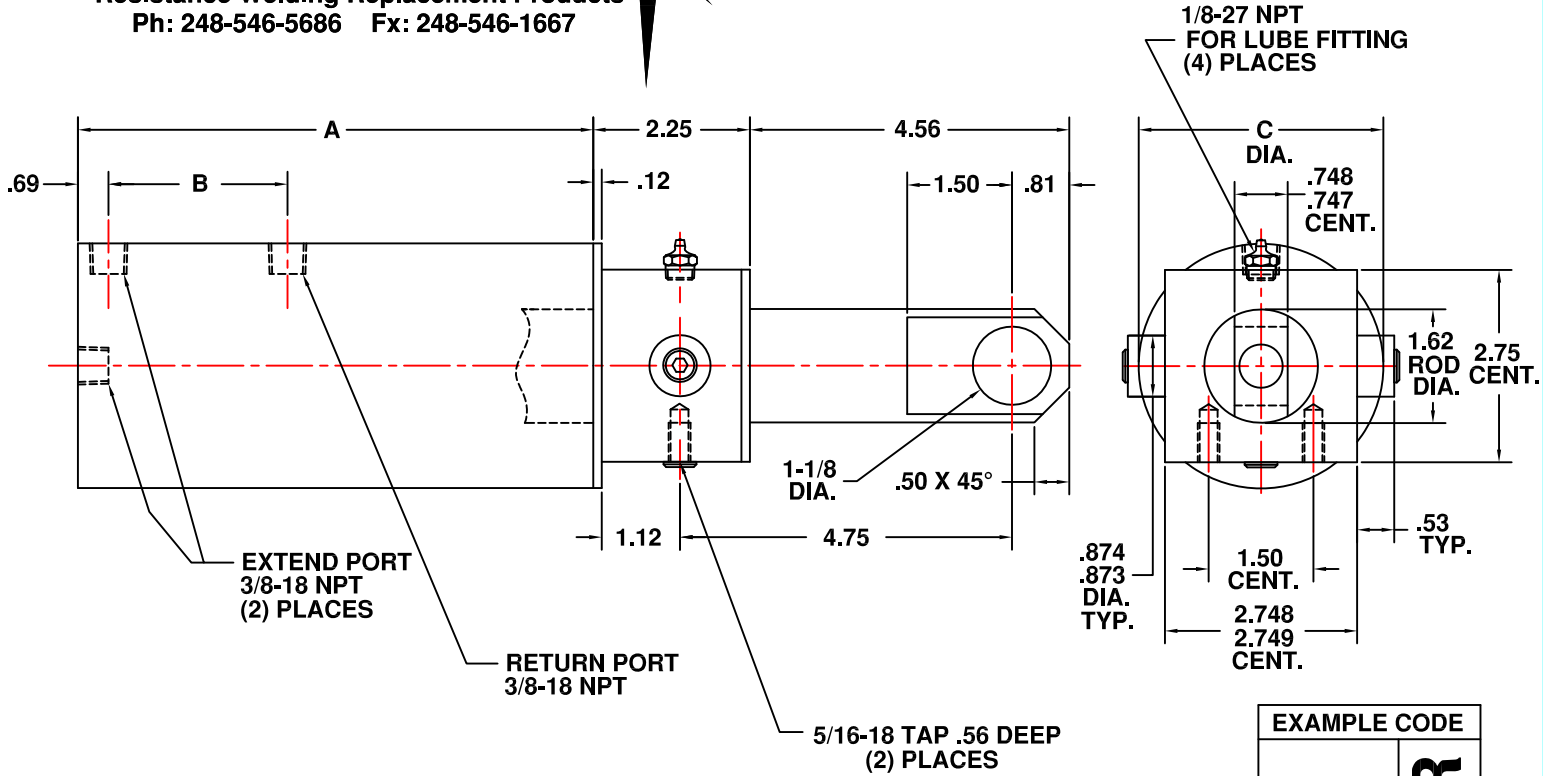
NOTE: STROKE LENGTHS SHOWN ABOVE ARE MOST COMMON, HOWEVER OTHER STROKE LENGTHS ARE AVAILABLE IN 1/2" INCREMENTS

RWR Products

Resistance Welding Replacement Products
Ph: 248-546-5686 Fx: 248-546-1667

TRIPLE PISTON CYLINDER "T6" STYLE

BORE RANGE = 3.25 TO 4.00 DIA.



SPECIFICATIONS						PISTON AREA		EXTEND FORCE @ 95% EFFICENCY
BORE	MODEL NO.	STROKE	A	B	C	EXTEND	RETURN	
3.25 DIA. TRIPLE PISTON	M021-3-325-4-R12-78-RR	1.00	9.00	2.88	3.75	23.20 SQ. IN.	7.51 SQ. IN.	1322 LBS @ 60 PSI
	M021-3-325-6-R12-78-RR	1.50	10.50	3.38				
	M021-3-325-8-R12-78-RR	2.00	12.00	3.88				
	M021-3-325-12-R12-78-RR	3.00	15.00	4.88				
	M021-3-325-16-R12-78-RR	4.00	18.00	5.88				
	M021-3-325-20-R12-78-RR	5.00	21.00	6.88				
3.50 DIA. TRIPLE PISTON	M021-3-350-4-R12-78-RR	1.00	9.00	2.88	4.00	27.10 SQ. IN.	8.84 SQ. IN.	1545 LBS @ 60 PSI
	M021-3-350-6-R12-78-RR	1.50	10.50	3.38				
	M021-3-350-8-R12-78-RR	2.00	12.00	3.88				
	M021-3-350-12-R12-78-RR	3.00	15.00	4.88				
	M021-3-350-16-R12-78-RR	4.00	18.00	5.88				
	M021-3-350-20-R12-78-RR	5.00	21.00	6.88				
3.75 DIA. TRIPLE PISTON	M021-3-375-4-R12-78-RR	1.00	9.00	2.88	4.25	31.40 SQ. IN.	10.25 SQ. IN.	1790 LBS @ 60 PSI
	M021-3-375-6-R12-78-RR	1.50	10.50	3.38				
	M021-3-375-8-R12-78-RR	2.00	12.00	3.88				
	M021-3-375-12-R12-78-RR	3.00	15.00	4.88				
	M021-3-375-16-R12-78-RR	4.00	18.00	5.88				
	M021-3-375-20-R12-78-RR	5.00	21.00	6.88				
4.00 DIA. TRIPLE PISTON	M021-3-400-4-R12-78-RR	1.00	9.00	2.88	4.50	36.00 SQ. IN.	11.75 SQ. IN.	2052 LBS @ 60 PSI
	M021-3-400-6-R12-78-RR	1.50	10.50	3.38				
	M021-3-400-8-R12-78-RR	2.00	12.00	3.88				
	M021-3-400-12-R12-78-RR	3.00	15.00	4.88				
	M021-3-400-16-R12-78-RR	4.00	18.00	5.88				
	M021-3-400-20-R12-78-RR	5.00	21.00	6.88				
M021-3-400-24-R12-78-RR	6.00	24.00	7.88					

EXAMPLE CODE	
ROUND ROD	M021-3-325-12-R12-78-RR
STICK-OUT	
* ROD END STYLE	
STROKE (1/4" INC.)	
BORE	
# OF PISTONS	
MOUNT STYLE	

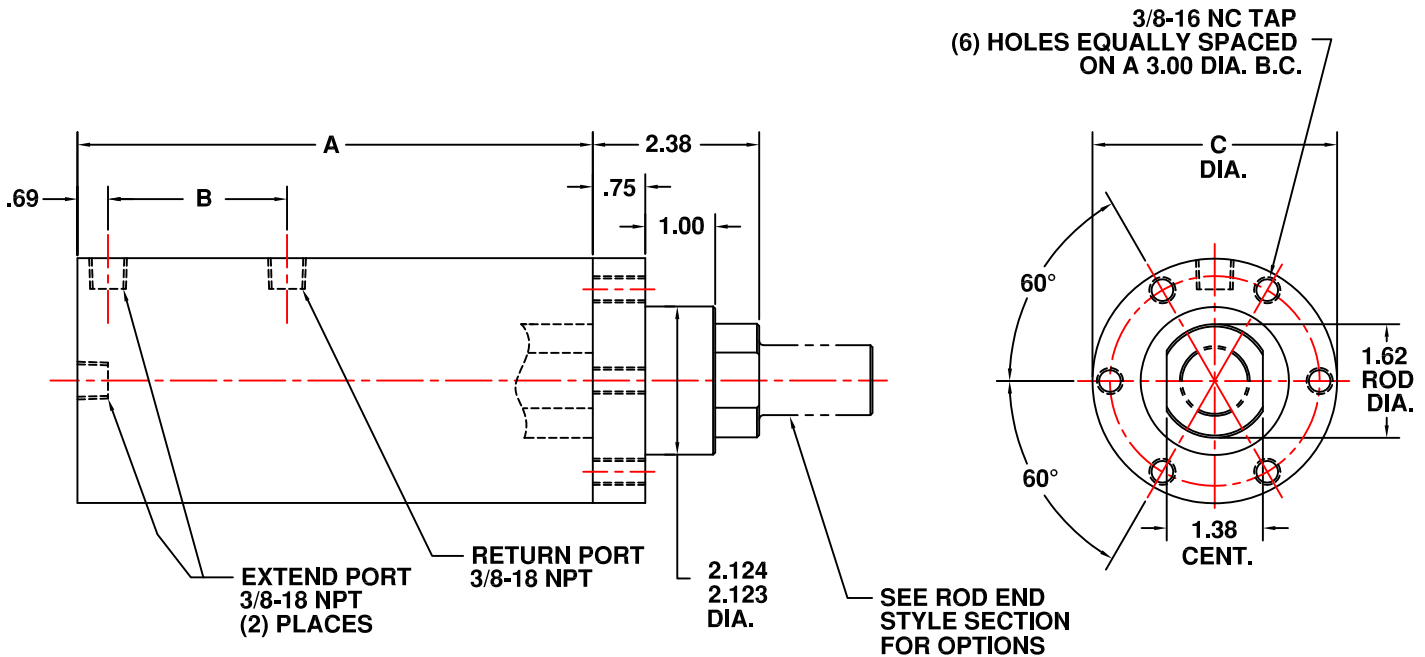
NOTE: STROKE LENGTHS SHOWN ABOVE ARE MOST COMMON, HOWEVER OTHER STROKE LENGTHS ARE AVAILABLE IN 1/2" INCREMENTS

RWR Products

Resistance Welding Replacement Products
Ph: 248-546-5686 Fx: 248-546-1667

TRIPLE PISTON CYLINDER "H9" STYLE

BORE RANGE = 3.25 TO 4.00 DIA.



SPECIFICATIONS					PISTON AREA		EXTEND FORCE @ 95% EFFICIENCY	
BORE	MODEL NO.	STROKE	A	B	C	EXTEND		RETURN
3.25 DIA. TRIPLE PISTON	M023-3-325-4-*-20	1.00	9.00	2.88	3.75	23.20 SQ. IN.	7.51 SQ. IN.	1322 LBS @ 60 PSI
	M023-3-325-6-*-20	1.50	10.50	3.38				
	M023-3-325-8-*-20	2.00	12.00	3.88				
	M023-3-325-12-*-20	3.00	15.00	4.88				
	M023-3-325-16-*-20	4.00	18.00	5.88				
	M023-3-325-20-*-20	5.00	21.00	6.88				
3.50 DIA. TRIPLE PISTON	M023-3-350-4-*-20	1.00	9.00	2.88	4.00	27.10 SQ. IN.	8.84 SQ. IN.	1545 LBS @ 60 PSI
	M023-3-350-6-*-20	1.50	10.50	3.38				
	M023-3-350-8-*-20	2.00	12.00	3.88				
	M023-3-350-12-*-20	3.00	15.00	4.88				
	M023-3-350-16-*-20	4.00	18.00	5.88				
	M023-3-350-20-*-20	5.00	21.00	6.88				
3.75 DIA. TRIPLE PISTON	M023-3-375-4-*-20	1.00	9.00	2.88	4.25	31.40 SQ. IN.	10.25 SQ. IN.	1790 LBS @ 60 PSI
	M023-3-375-6-*-20	1.50	10.50	3.38				
	M023-3-375-8-*-20	2.00	12.00	3.88				
	M023-3-375-12-*-20	3.00	15.00	4.88				
	M023-3-375-16-*-20	4.00	18.00	5.88				
	M023-3-375-20-*-20	5.00	21.00	6.88				
4.00 DIA. TRIPLE PISTON	M023-3-400-4-*-20	1.00	9.00	2.88	4.50	36.00 SQ. IN.	11.75 SQ. IN.	2052 LBS @ 60 PSI
	M023-3-400-6-*-20	1.50	10.50	3.38				
	M023-3-400-8-*-20	2.00	12.00	3.88				
	M023-3-400-12-*-20	3.00	15.00	4.88				
	M023-3-400-16-*-20	4.00	18.00	5.88				
	M023-3-400-20-*-20	5.00	21.00	6.88				
	M023-3-400-24-*-20	6.00	24.00	7.88				

EXAMPLE CODE	
STICK-OUT	M023-3-325-12-R02-20
* ROD END STYLE	
STROKE (1/4" INC.)	
BORE	
# OF PISTONS	
MOUNT STYLE	

NOTE: STROKE LENGTHS SHOWN ABOVE ARE MOST COMMON, HOWEVER
OTHER STROKE LENGTHS ARE AVAILABLE IN 1/2" INCREMENTS